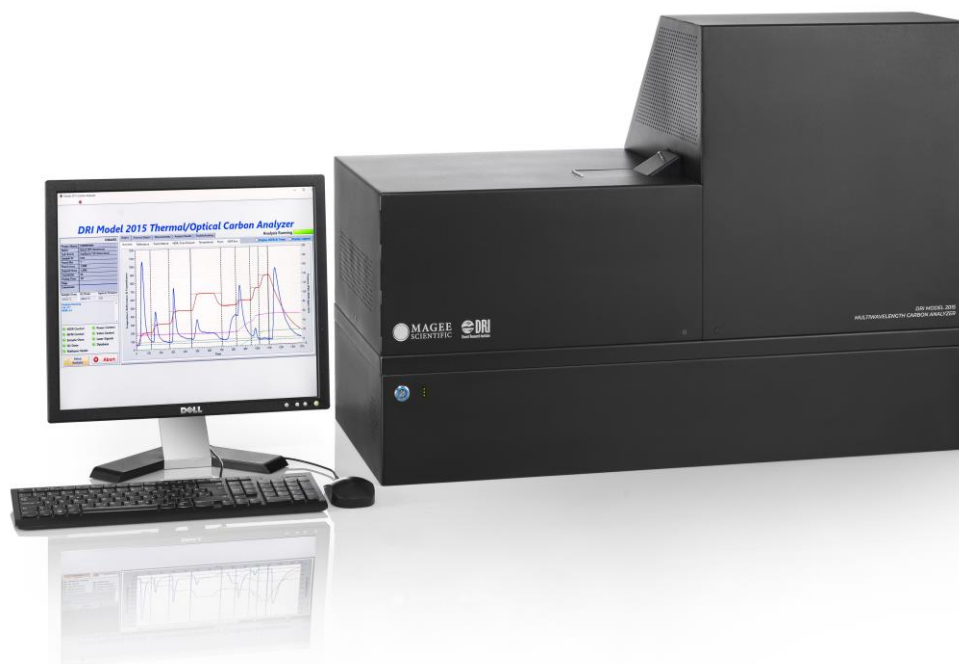


Multi-Wavelength Thermal/Optical Carbon Analyzer



Multi-Wavelength OC/EC Analyzer – DRI 2015 series 2

KEY FEATURES

- Compatible with EUSAAR2, IMPROVE_A, NIOSH 5040 or any other thermal protocol
- Multi-wavelength measurement of transmission (T) and reflectance (R) intensities
- Nondispersive infrared (NDIR) CO₂ detector
- Low helium gas consumption
- Ergonomic engineering



Developed by Desert Research
Institute, Reno-NV
Manufactured in Europe by Aerosol
d.o.o., Slovenia

APPLICATIONS

- Air quality and climate change research
- Particulate Matter (PM) speciation trends networks
- PM source apportionment
- Carbonaceous material analysis

DRI 2015 Series 2 is compliant with EN 16909:2017

Product specifications

BASIC DESCRIPTION

The DRI Model 2015 series 2 Multi-Wavelength Thermal/Optical Carbon Analyzer replaces the widely used DRI Model 2001, and DRI Model 2015 systems for quantifying **organic carbon (OC)**, **elemental carbon (EC, also termed Black Carbon [BC])**, and temperature-separated carbon fractions on aerosol filter deposits.

DRI Model 2015 series 2 features optical monitoring that accounts for OC charring with reflected (R) and transmitted (T) intensities at wavelengths of 405, 445, 532, 635, 780, 808, and 980 nm. The additional optical information can be used to estimate multiwavelength light absorption of the sampled particles, infer the concentration of brown carbon (BrC) in each sample, and further complement the use of carbon fractions in source apportionment studies (Chen et al., 2015; Chow et al., 2015).

Model 2015 Series 2 software includes temperature programs for commonly-used protocols such as **IMPROVE_A**, **EUSAAR_2**, and **NIOSH**, and it can be programmed to emulate any other protocol. The simultaneous measurement of both R and T at all wavelengths throughout each analysis allows for reproducing any other thermal/optical method and holds potential for better characterizing additional properties of the carbonaceous aerosol.

MEASUREMENT PRINCIPLE

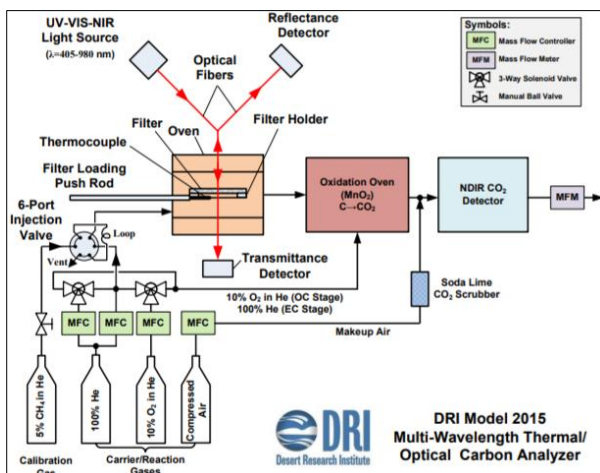
Thermal/optical carbon analysis is based on the preferential oxidation of OC and EC materials under different temperatures and atmospheres.

A ~0.5 cm² punch from a particle-laden quartz fiber filter (or other sample form) is heated in programmed temperature steps.

Organic compounds are liberated under a non-oxidizing helium atmosphere at lower temperatures up to 580 °C, while EC is combusted in an oxidizing atmosphere with 2% O₂ at temperatures up to 840 °C.

The liberated carbon is oxidized to carbon dioxide (CO₂) by heated manganese dioxide (MnO₂), and the CO₂ is quantified by an NDIR detector.

Seven modulated diode lasers measure the reflectance from, and transmittance through, each filter at wavelengths from 405 to 980 nm.



Reference:

Chen, L.-W.A.; Chow, J.C.; Wang, X.L.; Robles, J.A.; Sumlin, B.; Lowenthal, D.H.; Watson, J.G. (2014). *Multi-wavelength optical measurement to enhance thermal/optical analysis for carbonaceous aerosol*. *Atmos. Meas. Tech. Discuss.*, 7:9173-9201. <http://www.atmos-meas-techdiscuss.net/7/9173/2014/amtd-7-9173-2014-print.pdf>

MAIN TECHNICAL SPECIFICATIONS

- **Measurement Range:** 0.1 to 1000 µg carbon/cm² (depending on carbonaceous composition)

- **Minimum Detection Limit (MDL):**

Total OC: 0.10 µg/cm²

Total EC: 0.08 µg/cm²

Total Carbon: 0.18 µg/cm²

Wavelengths: 405, 445, 532, 635, 780, 808, and 980 nm (operation in both, TOT and TOR mode by default).

- **Support Gases:**

Ultra-high purity (UHP) helium (hydrocarbon free, >99.999% purity)

10% oxygen in UHP helium

5% methane in UHP helium

Compressed air

- **Data Reporting Interval:** 1 second

- **Software:** LABVIEW-Based

ENVIRONMENTAL OPERATING CONDITIONS

- **Temperature:** 10 to 40 °C

- **Relative Humidity:** 30 to 80%, noncondensing

- **IP protection:** IP20

- The unit is intended for indoor installations only

OPERATING TEMPERATURES

- **Sample oven:** programmable from 45 to 900 °C with maximum heating rate 250 °C/minute

- **Oxidation oven:** 900 °C

- **Temperature accuracy:** ±5 °C or 1%, whichever is greater

PHYSICAL SPECIFICATIONS

- **Dimensions:** 44 x 92 x 41 cm (17 x 36 x 16 inch)

- **Weight:** 50 kg (110 lbs)

- **Electrical Power supply:** 100-240VAC, 50/60Hz

- **Power consumption:** 1000 W maximum

- **Allowable electrical supply voltage fluctuations:** 90 – 264 V~

- **Degree of protection against electric shock:** Class I equipment

- **Transient overvoltage protection:** Overvoltage category II

- **Pollution degree:** 2



Scan the code for more info

GENERAL INQUIRIES:

Aerosol d.o.o., Kamniška 39 A, SI-1000 Ljubljana, Slovenia
tel: +386 1 439 1700 fax: +386 59 191 221 www.aerosol.eu

US, Mexico, Canada:

Magee Scientific Corp., 1916 M.L. King Jr. Way,
Berkeley CA 94704, USA tel: +1 510 845 2801 fax: +1 510 845 7137
www.mageescientific.com

or the distributor responsible for your country.